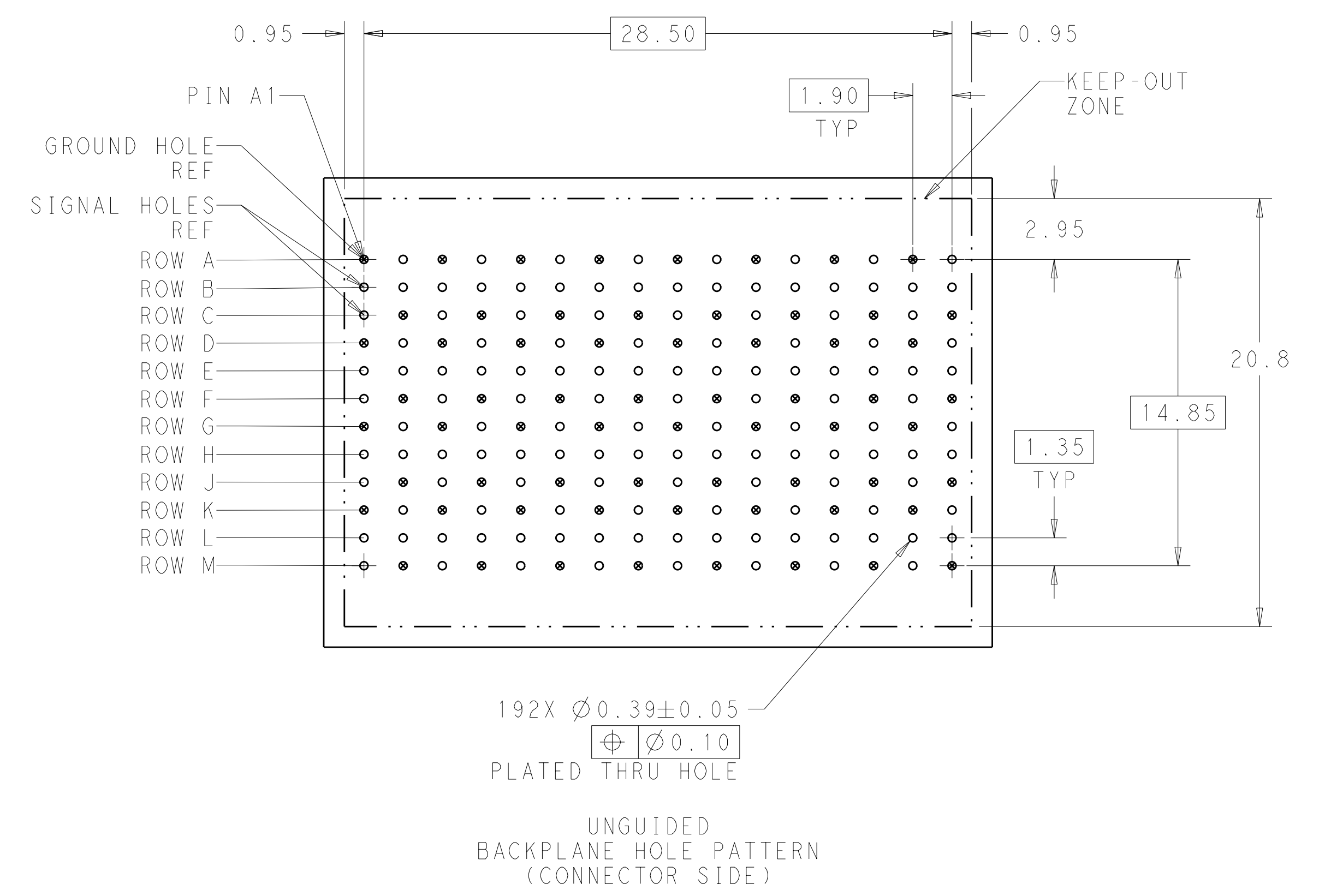
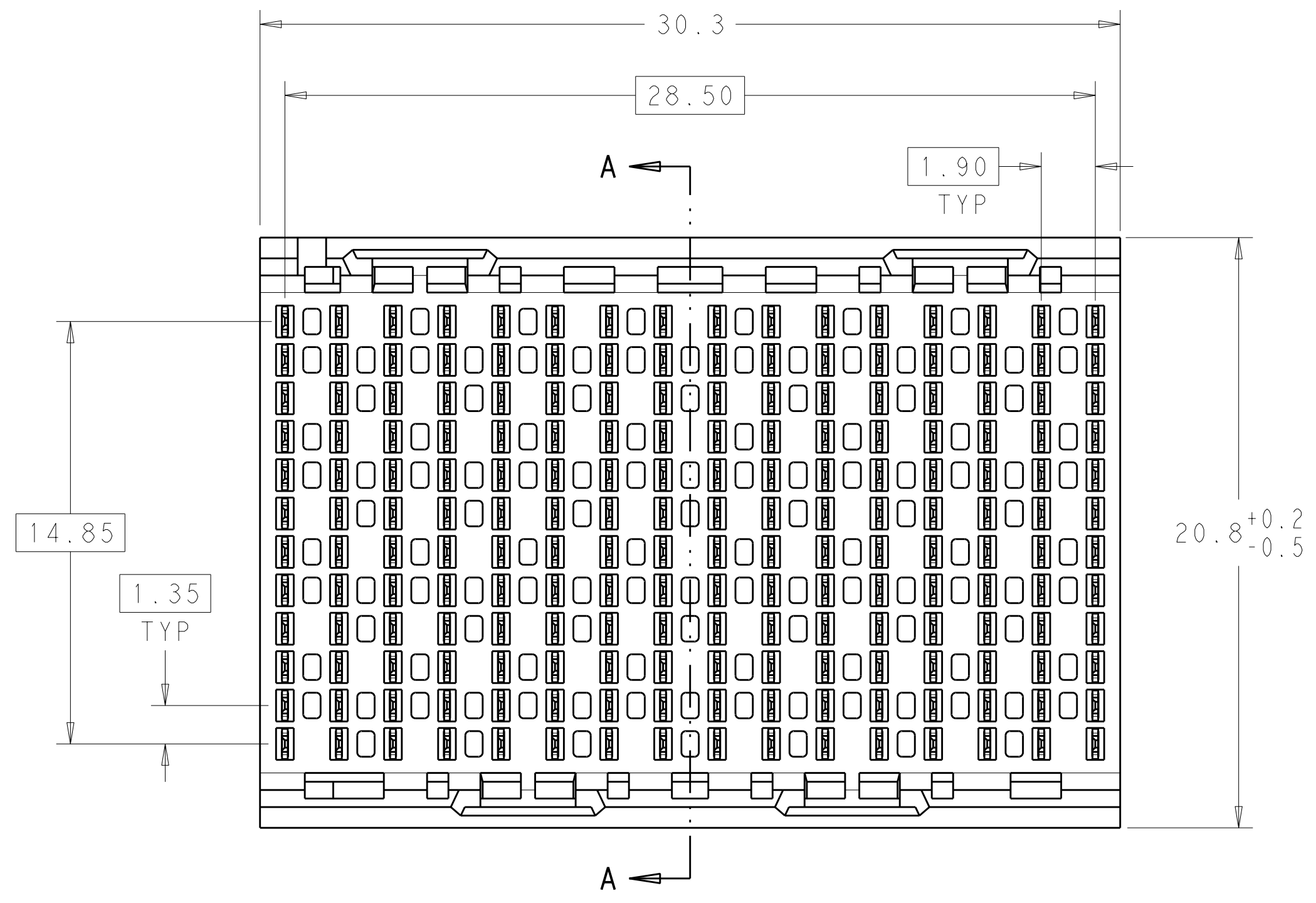
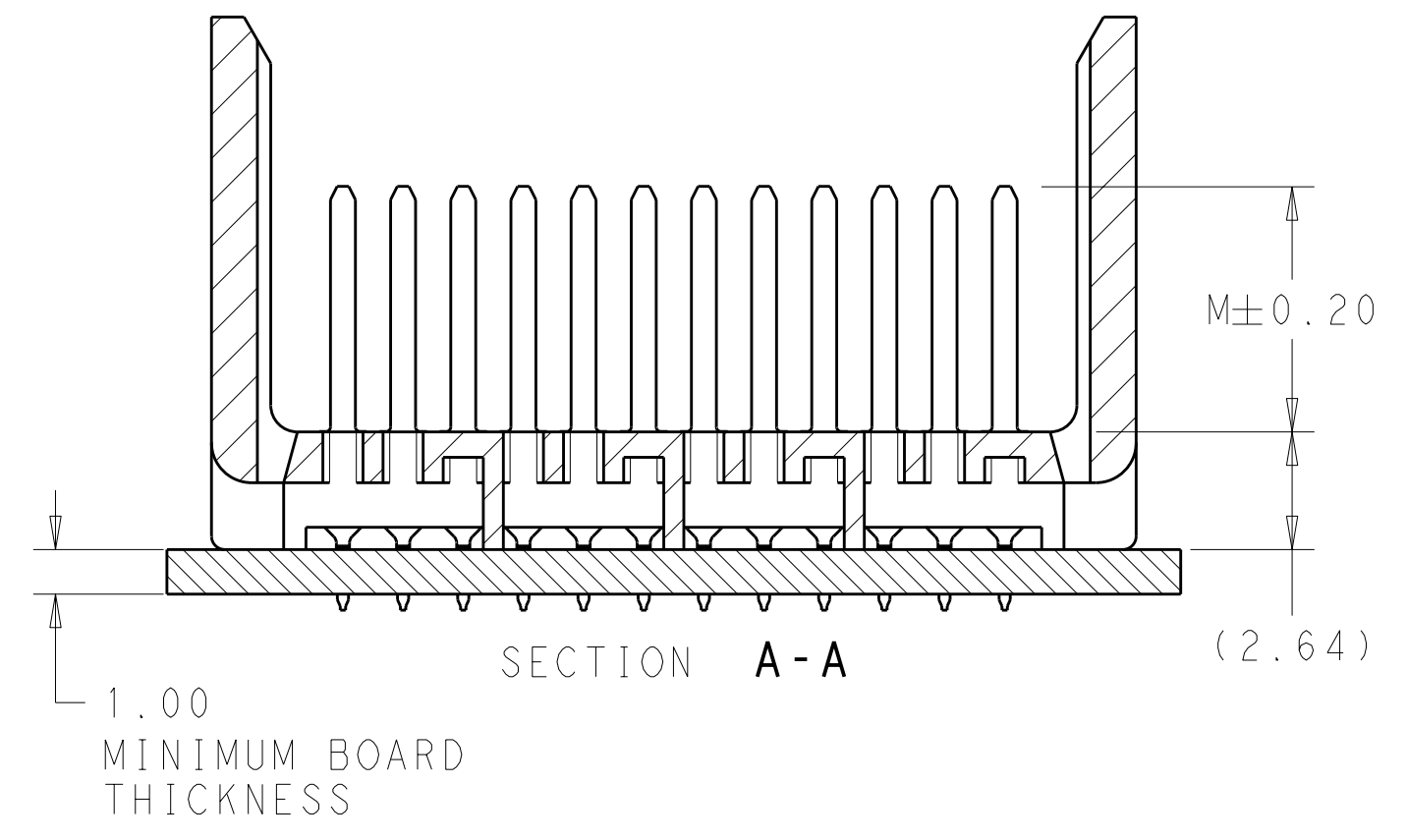
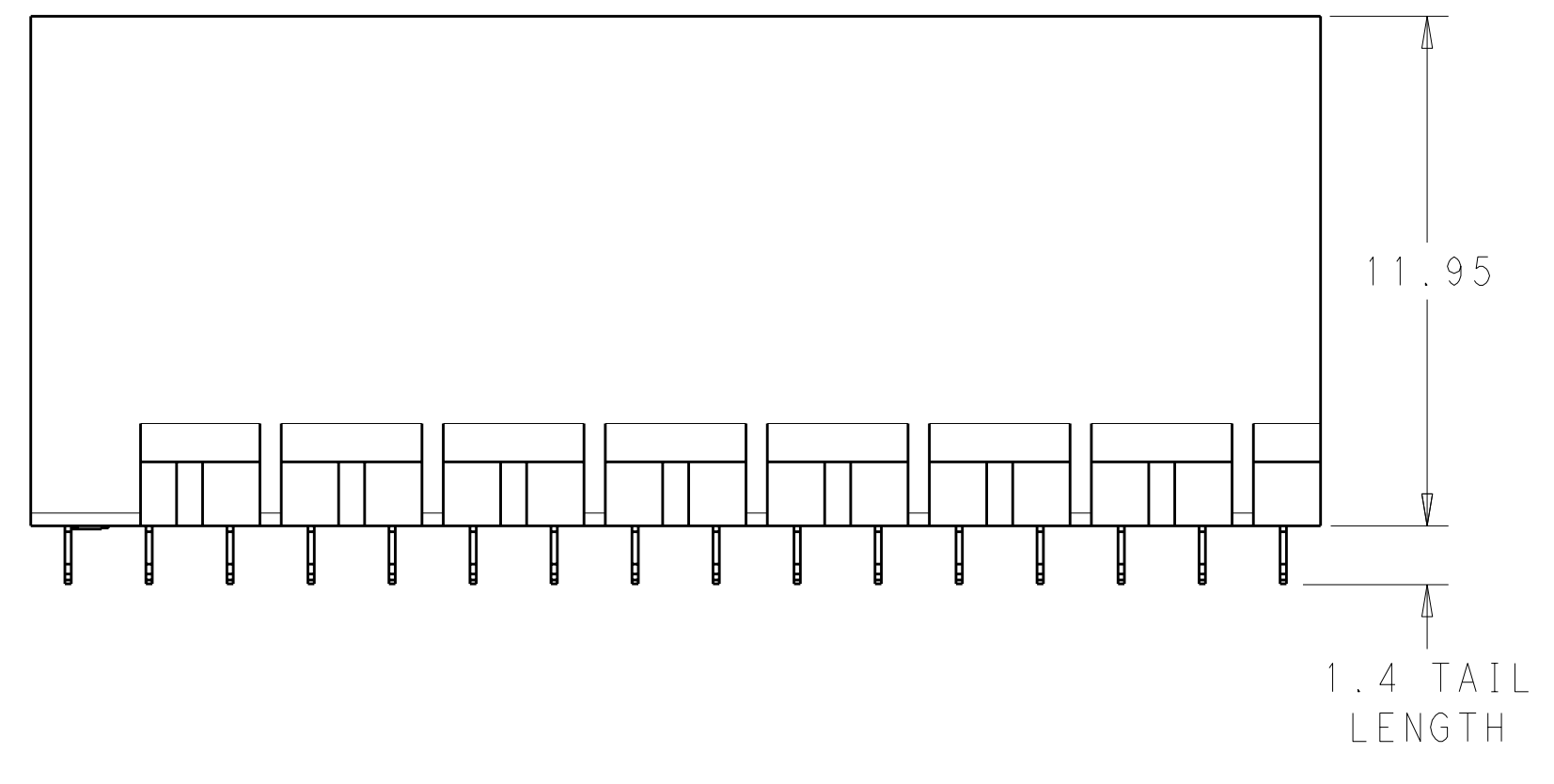
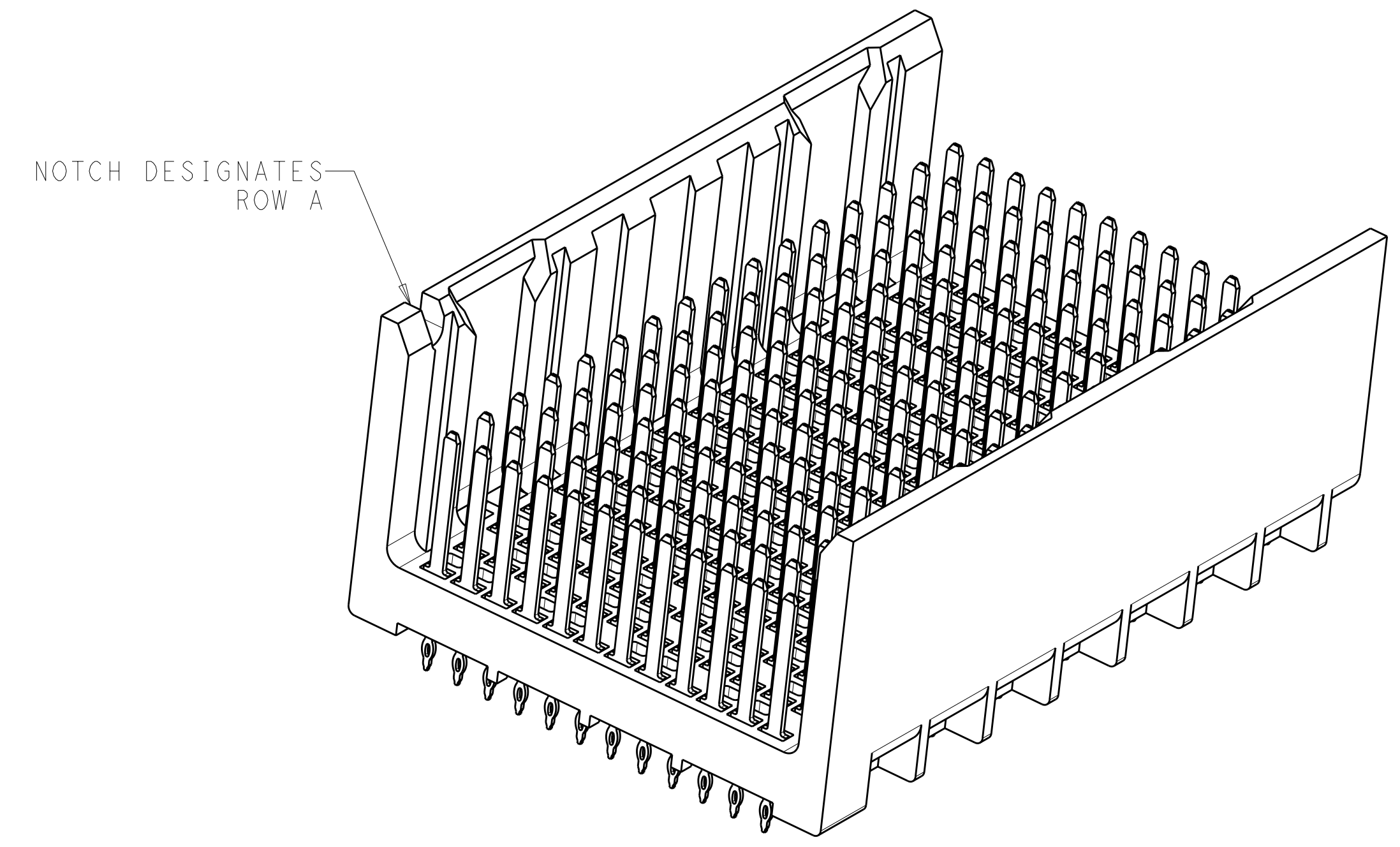


LOC		DIST		REVISIONS			
AD	00	P	LTR	DESCRIPTION	DATE	DWN	APVD
		B		REVISED PER ECO-11-025276	26DEC11	KH	DY



- 1 MATERIAL:  
HOUSING: LCP, GLASS FILLED, UL94V-0.  
TERMINALS: HIGH PERFORMANCE COPPER ALLOY.
- 2 FINISH:  
30µ" MIN GOLD IN CONTACT AREA. SELECTIVE TIN  
ON PCB TAILS, NICKEL OVERALL.
- 3 FINISH:  
30µ" MIN GOLD IN CONTACT AREA. SELECTIVE TIN-LEAD  
ON PCB TAILS, NICKEL OVERALL.




THIS DRAWING IS A CONTROLLED DOCUMENT.		DWN	J. K. SHOBER	13JAN2011	 TE Connectivity	NAME IMPACT, 4 PAIR, 16 COLUMN, HEADER UNGUIDED, OPEN END WALL SIGNAL MODULE, 0.39 PTH			
DIMENSIONS:		CHK	J. EABY	13JAN2011					
mm		APVD	J. EABY	13JAN2011					
0 PLC ± 1 PLC ±0.25 2 PLC ±0.13 3 PLC ± 4 PLC ± ANGLES ± FINISH SEE TABLE		PRODUCT SPEC							
MATERIAL		APPLICATION SPEC			SIZE	CAGE CODE	DRAWING NO.	RESTRICTED TO	
		WEIGHT			A100779	C=2007836			
		CUSTOMER DRAWING		SCALE	6:1	SHEET	1 OF 2	REV	B

THIS DRAWING IS UNPUBLISHED. RELEASED FOR PUBLICATION 20  
 © COPYRIGHT 20 . . . ALL RIGHTS RESERVED.

LOC	DIST	REVISIONS				
AD	00	P	LTB	DATE	DWN	APVD
-	-	-	-	SEE SHEET 1	-	-

FINISH	DIM M	PART NUMBER
$\triangle_3$	5.5	2007836-6
$\triangle_3$	4.9	2007836-5
$\triangle_3$	4.5	2007836-4
$\triangle_2$	5.5	2007836-3
$\triangle_2$	4.9	2007836-2
$\triangle_2$	4.5	2007836-1

REFER TO WWW.TE.COM  
 FOR PRODUCT AVAILABILITY

THIS DRAWING IS A CONTROLLED DOCUMENT.		DWN J. K. SHOBER 13JAN2011	 TE Connectivity
DIMENSIONS: mm		CHK J. EABY 13JAN2011	
TOLERANCES UNLESS OTHERWISE SPECIFIED: 9 PLC ± 7 PLC ±0.25 5 PLC ±0.13 4 PLC ± ANGLES ±		APVD J. EABY 13JAN2011	NAME IMPACT, 4 PAIR, 16 COLUMN, HEADER UNGUIDED, OPEN END WALL SIGNAL MODULE, 0.39 PTH
MATERIAL -		FINISH SEE TABLE	RESTRICTED TO -
WEIGHT -		CUSTOMER DRAWING	SCALE 5:1 SHEET 2 OF 2 REV B